



The AX 700LE Series of
Film Processors --
Best Value in the Industry

ALPHATEK



ENTER



The AX 300SE Series
Offers Versatility and
Cost-Effectiveness

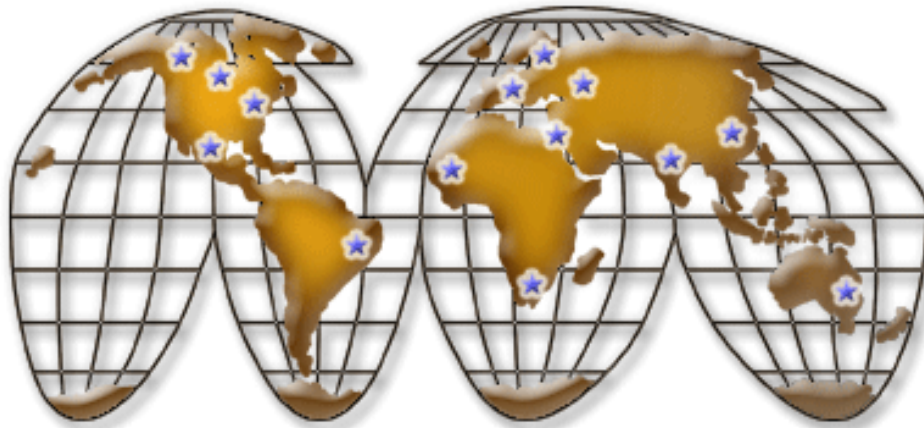
Improving Your Image For Over 30 Years



Improving Your Image For Over 30 Years

- AX 700LE Series
- AX 700LE Specifications
- AX 300SE Series
- AX 300SE Specifications
- AX 200 Series
- AX 200 Specifications
- About Us
- FAQs
- Contact Us

ALPHATEK -- Producing Quality Radiographs The World Over



Alphatek has been manufacturing x-ray film processors for over 30 years. The company's mission is the design and production of high quality processors for use in private practices and hospitals around the world. The company's strict compliance to ISO 9000 standards ensures customers of Alphatek's commitment to excellence.



Improving Your Image For Over 30 Years

AX 700LE
Series

AX 700LE
Specifications

AX 300SE
Series

AX 300SE
Specifications

AX 200
Series

AX 200
Specifications

About Us

FAQs

Contact Us

The AX 700LE Series

Quality And Reliability

Built for performance, the AX 700LE film processor provides crisp, beautifully finished radiographs in just 90 seconds. A modular, compact design makes the 700LE an integral part of any facility's asset management program.

The 700 LE is designed with great emphasis on structural integrity. With stainless steel construction and high impact composite exterior, the 700LE is both robust and attractive. Precision machining, friction-reducing roller bearings, matched with an oversized drive motor enable the 700LE to transport film effortlessly. This results in ease of operation, low maintenance, and extended product longevity.



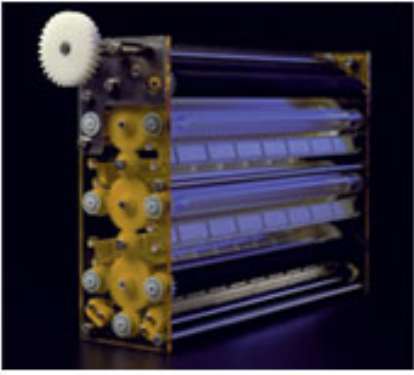
700 LE Features

- Fully Microprocessor-Controlled
- Stainless Construction for Mechanical Strength
- Interchangeable Parts Ensure Cost-Effective Operation and Maintenance
- Fixed Cross-over Guides to Eliminate Scratching
- Solid Rubber and Solid Acrylic Rollers for Durability
- Modular Tank Design Simplifies Service
- Jam-Free Parallel Dryer Design Ensures Ease of Operation
- 35 cm X 43 cm Films Feed within 20-Seconds
- Industrial Warm Air Dryer Ensures Crisp, Smooth Radiographs

Available Special Options

- 45-Second Processor (AX 745LE)
- Environmentally-Friendly Chemical Closed-Loop System
- Modular Design That Permits Freestanding or "Through the Wall" Installation





Exclusive Gear and roller bearing design provides smooth, consistent operation. The result is the virtual elimination of roller complications and sharp clear radiographs.

A consistent chemical temperature and activity level enable highest contrast images through the:

- thermal mass of a generous developer tank*
- durable heater well*
- full-sized developer filter*
- large, oversized rack*
- reliable and accurate replenishment pump.*



Improving Your Image For Over 30 Years

AX 700LE
Series

AX 700LE
Specifications

AX 300SE
Series

AX 300SE
Specifications

AX 200
Series

AX 200
Specifications

About Us

FAQs

Contact Us

The AX LE Series Specifications

AX 700LE

The Alphatek AX 700LE is a 90-Second, microprocessor controlled, continuous roller, automatic film processor. Constructed with the highest quality components, and designed for ease of operation, the AX 700LE is the choice for flexibility and cost-effectiveness.

Processing time:

90 seconds (leading edge transport time)

Processing Capacity:

51 in (129 cm) per minute
Over 170 14 x 17 in (35 x 43 cm) films per hour

Dimensions

Processor: height 21-1/8 in (53.6 cm)
width 23 in. (58.4 cm)
length 40-5/8 in (103.2 cm)

Base: height 24 in (61 cm)

Water

Consumption: 1/2 gal (1.9 liters) per minute - processing
1/4 gal (1 liter) per minute - stand by



[CLICK FOR SITE SPECS](#)

Tank Capacities:	developer 2-3/4 gal (10.4 liters)
	fixer 1-3/4 gal (6.6 liters)
	wash 1-3/4 gal (6.6 liters)
Weight:	250 lbs. (114 kg) - without fluids
Power Requirements:	120 V, 20 A, 50/60 Hz single phase
	240 V, 10 A, 50/60 Hz (optional)
Drain Requirements:	4 gal (15 liters) per minute
	(required only when tanks are emptied during periodic maintenance).

AX 745LE

The AX 745LE is a 45-second version of the AX 700LE. It requires 45-second film and may require special chemistry for optimal performance. Consult film manufacturer for more information.

Processing time: 45 seconds (leading edge transport time)

Processing Capacity: 100 in (254 cm) per minute
Over 340 14 x 17 in (35 x 43 cm) films per hour

All other specifications are similar to the AX 700LE.
See Installation and Service Manual for more complete information.
(Specifications subject to change without notice.)

2 Year Warranty

The Alphatek AX 700LE and AX 745LE Processors are warranted for a period of two years from the date of installation for all parts and against defects in material and/or workmanship. Should any such defect appear during the warranty period, notify your Alphatek dealer.

This warranty is for parts only and not for labor. This warranty does not cover damage caused by accident, misuse or neglect.

This warranty is in lieu of, and supersedes all other representations, expressed or implied, by the manufacturer or any representatives.

This warranty is provided for the original purchaser and is not transferable.

This warranty is void if any service or reinstallation has been done by any person or persons who are not authorized Alphatek dealers.



Improving Your Image For Over 30 Years

AX 700LE
Series

AX 700LE
Specifications

AX 300SE
Series

AX 300SE
Specifications

AX 200
Series

AX 200
Specifications

About Us

FAQs

Contact Us

The ALPHATEK SE Series

A Tradition of Quality

The Alphatek tradition of high quality products and performance continues with the series of AX 300SE and AX 390SE x-ray film processors.

Built for reliable performance, the SE Series provides exceptional processing. The advanced design of the SE Series integrates high quality components with durable construction that delivers superior performance. Details like cast acrylic rollers ensure consistent and uniform processing of your radiographs

AX 300SE Standard Features

Versatility and Value

Ideal for clinics and private offices, the AX 300SE can process up to sixty 14 X 17 films per hour. It's equally efficient in low volume applications. Film lengths of up to 51 inches or as small as 100 mm are easily accommodated



to 21 inches or as small as 100 mm are easily accommodated by the AX 300SE. This versatility makes the AX300SE one of the most cost-effective systems available.

2 1/2 Minute Processor

High quality, beautifully-finished radiographs exit the AX 300SE just 2 1/2 minutes after films enter the processor, ensuring faster patient care.

Easy Maintenance

The modular design of the AX 300SE simplifies routine maintenance. The top and side panels lift off to expose the roller assemblies and tanks for easy cleaning.

AX 390SE Standard Features

90 Second Processing

Full sized racks combined with deep tank design permit true 90 second processing without compromising image quality or requiring special film.

Substantial Capacity

- Designed with a high capacity dryer and deep processing tanks, the AX 390SE provides efficient processing for high volume facilities.
- Up to 120, 14 in X 17 in (35 cm X 43 cm) films per hour.
- An oversized drive motor ensures high performance and smooth operation.



Shared SE Series Features

Compact Design

Developed expressly for rooms with limited space, the SE Series is extremely space-efficient. The compact design makes these processors ideal for small offices.

Digital Developer Display

Fail safe developer temperature control is accurately displayed and easily viewed. It is so easy to read we use the display as your film feed indicator.

Smoothest Running Rollers

Our Unique gear and roller bearing design results in the industry's smoothest running roller assemblies. This produces greater reliability and and sharper images on your view box.

Warm Air Dryer

Time tested warm air film dryer delivers smooth crisp images even under heavy film loads.

Stainless Steel Construction

Like all Alphatek processors, under the high impact composite exterior, the SE Series is constructed from the finest quality stainless steel for durability and mechanical strength.

Low Maintenance

The exclusive roller design of the SE Series simplifies maintenance. A rigid roller composition of acrylic repels foreign matter, making routine maintenance easy.

Accurate Temperature

Developer temperature is accurately maintained within a QA window of .5 F.



Environmentally-Friendly SE Series Processors

- Energy saving automatic standby circuits - standard
- Cold water processing - hot water not required
- Reduced wash water flow valve: just 1/2 gal. per minute
- Recirculated dryer air conserves power
- Factory equipped to accept silver recovery systems
- Unique air-cooled chassis design eliminates need for water to stabilize developer temperature.



Improving Your Image For Over 30 Years

AX 700LE
Series

AX 700LE
Specifications

AX 300SE
Series

AX 300SE
Specifications

AX 200
Series

AX 200
Specifications

About Us

FAQs

Contact Us

The AX 300SE Series Specifications

AX 300SE

The SE Series products are reliable, cost-effective x-ray film processors that consistently produce high quality, beautifully-finished radiographs. The extraordinary value of the SE processors comes from the combination of over 30 years of technical improvements and ISO 9000 manufacturing excellence.

Processing time:

150 seconds (leading edge transport time)

Processing Capacity:

60 - 14 in x 17 in (35 cm x 43 cm) films per hour

Dimensions

Processor: height 18 in (45.7 cm)
width 22 in (56 cm)
length 32.5 in (82.5 cm)

Base: height 30 in (76cm)

Water

Consumption: 1/2 gal (1.9 liters) per minute - processing
1/4 gal (1 liter) per minute - standby

Tank

Capacities: developer 1.75 gal (6.6 liters)
fixer 1.25 gal (4.7 liters)
wash 1.25 gal (4.7 liters)

Developer



[CLICK FOR SITE SPECS](#)

Temperature:	± .5F Digitally displayed
Weight:	150 lbs. (68 kg) - without fluids
Power Requirements:	120 VAC, 15 Amps 240 VAC 7.5 Amps (optional)

AX 390SE

The AX 390SE is a 90-second version of the AX 300SE.

Processing time:	90 seconds (leading edge transport time)
Processing Capacity:	120 14x17 in (35 x 43 cm) films per hour
Water Consumption:	1/2 gal (1.9 liters) per minute - processing 1/4 gal (1 liter) per minute - standby
Developer Temperature:	± .5F Digitally displayed
Weight:	157 lbs. (71.2 kg) - without fluids
Power Requirements:	120VAC 15 Amps 240 VAC 7.5 Amps (optional)

See Installation and Service Manual for more complete information.
(Specifications subject to change without notice)

1 Year Warranty

The Alphatek AX 300SE and AX 390SE Processors are warranted for a period of one year from the date of installation for all parts and against defects in material or workmanship. Should any such defect appear during the warranty period, notify your Alphatek dealer.

This warranty is for parts only and not for labor. This warranty does not cover damage caused by accident, misuse or neglect.

This warranty is in lieu of, and supersedes all other representations, expressed or implied, by the manufacturer or any representatives.

This warranty is provided for the original purchaser and is not transferable.

This warranty is void if any service or



Improving Your Image For Over 30 Years



AX 700LE
Series

AX 700LE
Specifications

AX 300SE
Series

AX 300SE
Specifications

AX 200
Series

AX 200
Specifications

About Us

FAQs

Contact Us

The AX 200 Series

The AX 200 series is ideally suited for small clinics, remote emergency medical facilities, physician offices and any location where space is at a premium. Its small footprint and quiet operation allow it to be used just about anywhere in these facilities. And, its 105 second processing speed allows for fast analysis of critical images.

This microprocessor controlled unit is designed to provide continuous operation with minimum downtime. Additionally, it only has one circuit board which controls all operations. Thus, if something should go awry, getting you back up and running can be as easy as swapping out that single board.

It is very easy to operate and maintain this small x-ray film processor. Anyone on staff can be taught to perform the routine maintenance necessary for your medical team to consistently produce quality images .

To assist in reducing the need for maintenance every AX 200 is equipped with jog cycle and anti-crystallization mechanisms. Also, this unit has an air gap in the incoming water line. This distinctive design eliminates backflow into the water system. With the AX 200 you can have a high degree of confidence that you will obtain quality images time and again.

Furthermore, the AX 200 is designed to provide years of tireless service. Since the frame and tanks are a molded plastic, there are no points for corrosion to occur.

The AX 200 is the latest addition to Alphatek's family of x-ray film processors that we have been manufacturing for more than 30 years.





Improving Your Image For Over 30 Years



AX 700LE
Series

AX 700LE
Specifications

AX 300SE
Series

AX 300SE
Specifications

AX 200
Series

AX 200
Specifications

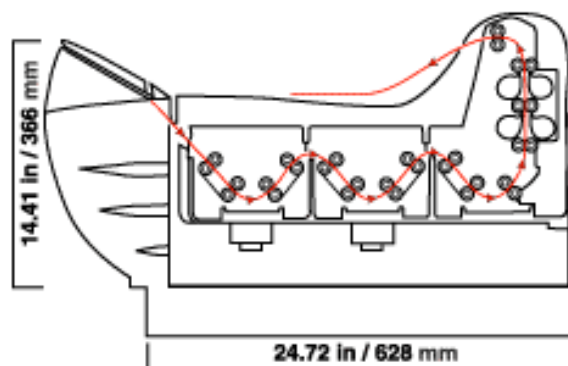
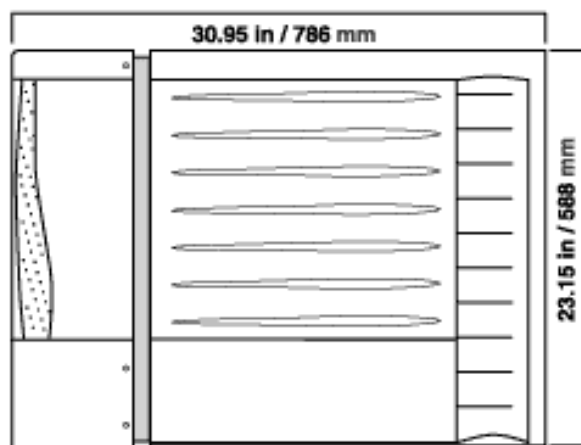
About Us

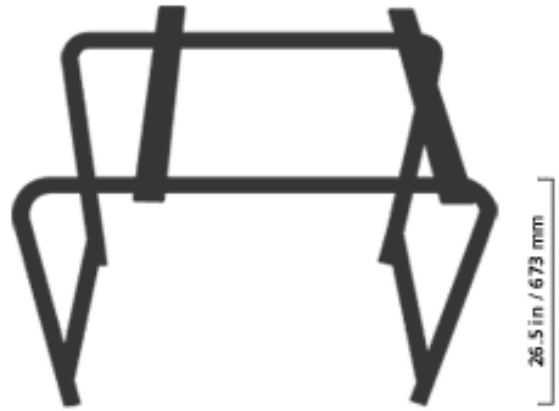
FAQs

Contact Us

AX 200 Specifications

- Microprocessor controlled
- A single Circuit Board instead of 3 or 4
- Visual and audible film-feed signals
- Temperature control with LED readouts
- Auto fill feature
- Front mounted On/Off switch
- 105 second processing time
- Front mounted drain valves
- One piece molded tanks
- Integrated feed tray with light tight cover
- Dimensions:
Width: 23.15 in (58.8 cm)
Length: 31 inches (78.6 cm)
Height: 25 in (63.5 cm)
Weight: 77 lbs. (35 kg) empty





Optional Stand For the AX 200



Improving Your Image For Over 30 Years

AX 700LE
Series

AX 700LE
Specifications

AX 300SE
Series

AX 300SE
Specifications

AX 200
Series

AX 200
Specifications

About Us

FAQs

Contact Us

Frequently Asked Questions

Q. *My previous processor ran on 240V input power. Can I operate any of the Alphatek processors at 240V instead of 120V power?*

A. All Alphatek processors can be supplied to operate on either 120V or 240V power. This feature of Alphatek processors may help save you money on your overall installation costs.

Q. *How do I know that I'm purchasing a quality product if I decide to go with Alphatek?*

Not only does Alphatek conform to the international quality and safety standards associated with ISO 9000, but we also use the finest sub-components available. For example, we use Bodine motors and Gorman Rupp pumps that normally are found only on processors with price tags exceeding \$20,000.

Q. *I understand that your processors have a "continuous drain" feature. Why is this important?*

A. The "continuous drain" prevents a potential algae problem by eliminating stagnant water. If algae develops in your wash tank, not only is there the potential for film artifacts to appear on your film, but transport problems also can occur. Our "continuous drain" feature significantly minimizes the chances of these problems, thereby reducing the potential need for costly image retakes and service calls.

Q. *What if I don't have a drain available for liquid waste?*

A. In those instances where a drain is not readily available for waste water and chemicals, we can convert any of our processors to a "closed loop system." What that means is the water and chemicals are recirculated within the processor instead of being discarded. This option is ideal for mobile clinics.

Q. Why are "deep tanks" a benefit over the shallow tank designed processors?

A. Typically, you only find deep tank designs on the most expensive processors. Deep tanks substantially reduce chemical surface areas which will result in a proportional reduction in the potency of your film processing chemicals due to oxidation. The net effect is that your chemicals will last longer.

Q. Will you consider special requests concerning a processor order?

A. We pride ourselves on providing world-class service to our customers. We offer tremendous flexibility in fulfilling any special requirements you may have for your processor order.

Q. Is purchasing a "reconditioned" processor a good idea?

A. In some circumstances it might be the perfect decision for you. However, make sure parts are readily available for the make and model of processor you're considering buying. The older the original manufacturing date the greater the likelihood that vital parts won't be available when it's critical that you have them. If that's the case with the equipment you're contemplating purchasing, you may be better off pursuing other buying options.

Q. Do "rush orders" require special handling fees?

A. We treat every order as if it is a "Rush Order". We pride ourselves in delivering your processor and service parts on time.

Q. Do you offer "extended warranty" plans?

A. Extended warranty plans essentially are insurance policies. They are another way for the manufacturer to generate annual revenue from your purchase. Consequently, we do not believe in or offer extended warranties on our equipment.

Instead, we offer comprehensive warranties that cover your Alphatek processor for one or two years depending on the model you purchase. Furthermore, our experience has shown that should something happen to your Alphatek processor after its warranty period has passed, the repair usually costs less than the annual fee for an extended warranty policy.



Improving Your Image For Over 30 Years

AX 700LE
Series

AX 700LE
Specifications

AX 300SE
Series

AX 300SE
Specifications

AX 200
Series

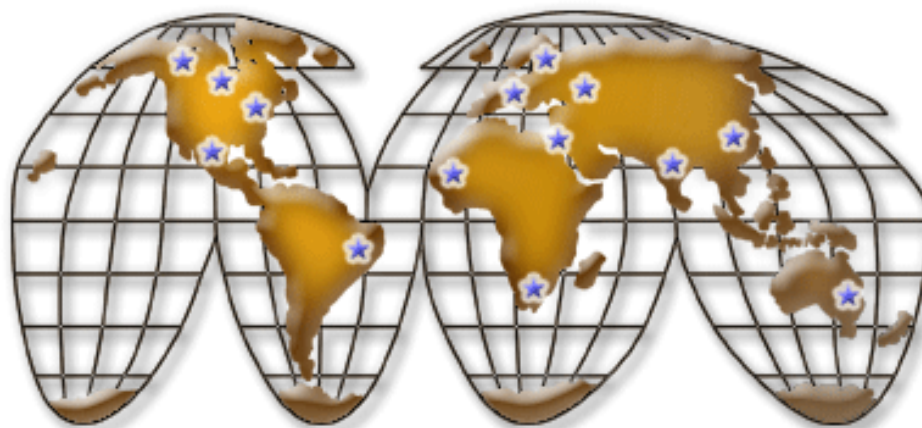
AX 200
Specifications

About Us

FAQs

Contact Us

No Matter Where In The World You Are
Alphatek Is Ready To Help Improve Your Image

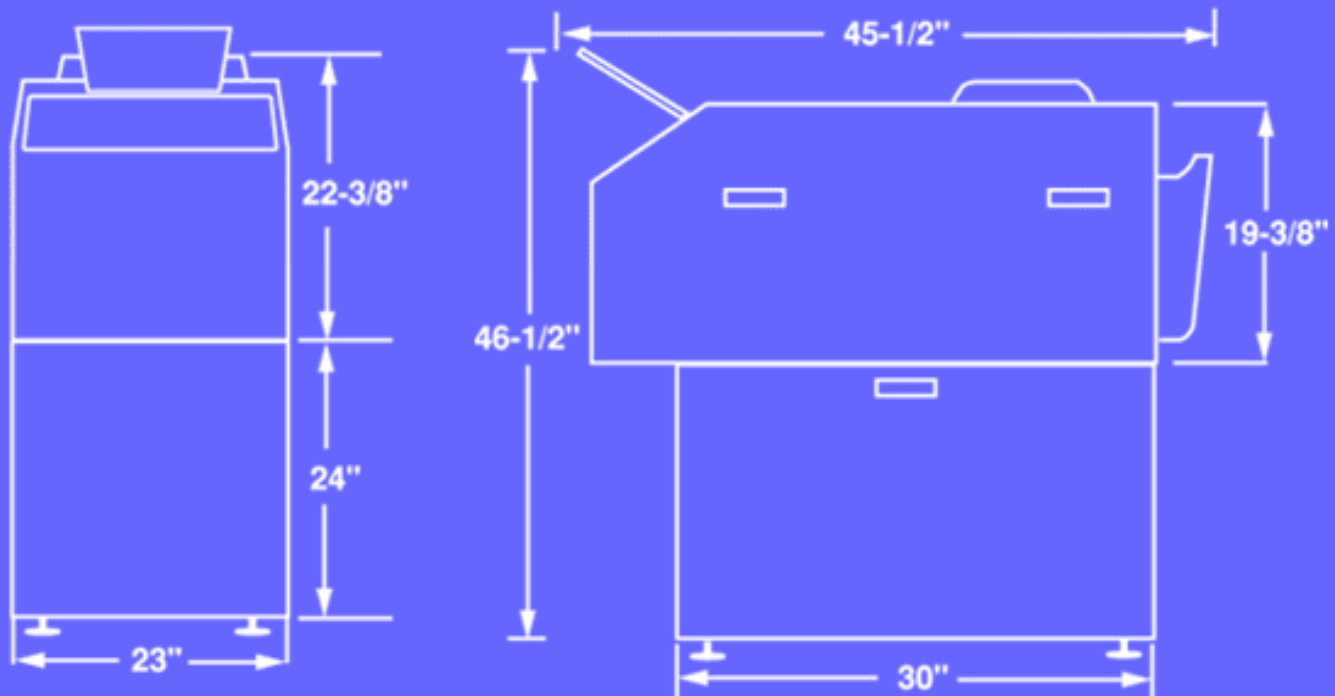


ALPHATEK CORPORATION
2000 South 25TH Avenue
Broadview, IL 60155 USA
Phone: 708-345-0500
FAX: 708-345-3090
E-Mail: Alphatek@Ameritech.net

© 2001 Alphatek Corporation

Design Team: Magic Lantern Studios, Inc
www.magiclanternstudios.com

AX LE Series Site Specifications & Preparation



NOTE: All installations must comply with all national, state and local building codes and plumbing specifications must comply with E.P.A. and Metropolitan Sanitary District regulations.

2.1 ELECTRIC

- 120 Volts, 20 Amp., 50/60 Hertz
- 240 Volts, 10 Amp., 50/60 Hertz (optional)
- 3 prong grounded outlet required
- Power Cord length is approximately 90 inches (2.3 M)

2.2 DARKROOM ENVIRONMENT

- Room temperature should be maintained between 60°- 80°F (15°- 27°C)
- Relative humidity should be maintained between 40%-75%.
- Heat load from the processor is 7000 BTU's/hr.(maximum)
- Room must have an exhaust fan capable of 10 air changes per hour.

2.3 PLUMBING

- 2.3.1 Water temperature from the incoming cold water supply should be maintained between 40° - 95°F (4° -35°C).
- 2.3.2 Water pressure should be between 40-80 PSI.
- 2.3.3 Water filtration may be required depending on local water conditions.
- 2.3.4 A sink with a hot and cold water source close to the processor or darkroom is suggested. The sink should be large enough to accommodate a transport rack for cleaning.
- 2.3.5 The cold water should be provided through a valve located in the darkroom and no farther than 4ft.(1.2m) from the "Feed Side" of the processor. Processor is supplied with a 6' (1.8M) Water Inlet Hose. The hose has a 3/4 inch garden hose fitting at each end. Hose washers (supplied) must be installed to prevent leaks.
- 2.3.6 A floor drain capable of accepting 2 gallons per minute (7.6L/minute) is required. The drain must be vented and must not be higher than 12 inches (30cm) from the floor.
- 2.3.7 Processor is supplied with 4 vinyl drain tubes, 6 Ft. (1.8 M) long. The tubes are 3/4 inch O.D. (1.9 cm) and attach to the drain lines located inside the electrical section of the processor.
- 2.3.8 Drain lines should be installed with a gradual slope to the floor drain, ensuring there are no kinks or bends. This will provide for efficient drainage and avoid air locks.

2.4 PROCESSOR DIMENSIONS:

- Length :42.75 Inches (108.6c m)
:45.5 Inches (115.6 cm) (including feed tray)
- Height :21.125 Inches (53.7cm)
- Width :23 Inches (58.4 cm)
- Base Height :23.75 Inches to 24.5 Inches (60 cm to 61 cm)
- Weight :250 LBS. (114 KG)
- With Solutions :298 LBS. (136 KG)

2.5 ACCESS RECOMMENDATIONS

The processor should be installed in a location where proper servicing is achievable. Listed below are recommendations for proper clearance:

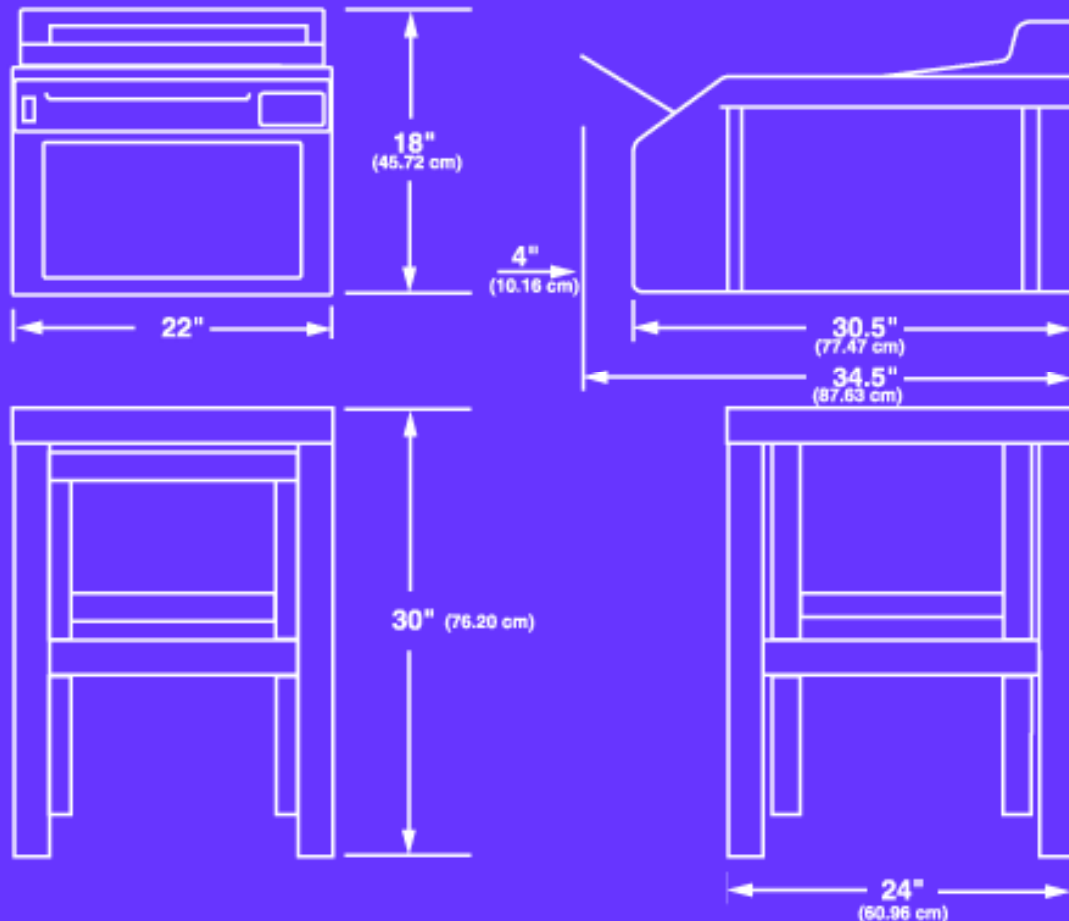
- Complete access to one side of the processor, preferably the "drive side" (Right hand side while facing Infeed Tray). Minimum clearance should be 24 inches (61 cm).
- Feed side: 30 inches (76 cm).
- Top side: 15 inches (38 cm).

Typical Room Layout

Through-The-Wall Layout

Back to AX 700LE Specs

AX 300SE Series Site Specifications & Preparation



NOTE: All installations must comply with all national, state and local building codes and plumbing specifications must comply with E.P.A. and Metropolitan Sanitary District regulations.

2.1 ELECTRIC

- 120 Volts, 15 Amp., 50/60 Hz
- 240 Volts, 10 Amp., 50/60 Hz, optional
- 3 prong grounded outlet required
- Power cord length is approximately 90 inches (2.3 M)

2.2 DARKROOM ENVIRONMENT

- Room temperature should be maintained between 60°- 80°F (15°- 27°C)
- Relative humidity should be maintained between 40%-75%.
- Heat load from the processor is 5000 BTU's/hr.(maximum)
- Room must have an exhaust fan capable of 10 air changes per hour.

2.3 PLUMBING

- 2.3.1** Water temperature from the incoming cold water supply should be maintained between 40°- 95°F (4°- 35°C).
- 2.3.2** Water pressure should be between 40-80 PSI.
- 2.3.3** Water filtration may be required depending on local water conditions.
- 2.3.4** A sink with a hot and cold water source close to the processor or darkroom is suggested. The sink should be large enough to accommodate a transport rack for cleaning.
- 2.3.5** Processor is supplied with a 6 Ft. (1.8M) Water Inlet Hose. The hose has a 3/4 inch garden hose fitting at each end. Hose washers (supplied) must be installed to prevent leaks.
The cold water supply should be provided through a valve in the darkroom. Valve should be located within 4 feet (1.2 m) of the "Feed" side of the processor.
- 2.3.6** A floor drain capable of accepting 2 Gallons per minute (7.6 L/minute) is required. The drain must be vented and must not be higher than 12 inches (30 cm) from the floor.
- 2.3.7** Processor is supplied with 4 vinyl drain tubes, 6 Ft. (1.8 M) long. The tubes are 3/4 inch O.D (1.9 cm) and attach to the drain lines located inside the electrical section of the processor.
- 2.3.8** Drain lines should be installed with a gradual slope to the floor drain, ensuring there are no kinks or bends. This will provide for efficient drainage and avoid air locks.

2.4 PROCESSOR DIMENSIONS:

- Length :30.5 Inches (77 cm)
:33.5 Inches (85 cm) (including feed tray)
- Height :18 Inches (46 cm)
- Width :22 Inches (56 cm)
- Base Height :26 3/4 inches to 27 inches (68 cm to 69 cm)
- Weight :150 LBS. (68 kg)
- With Solutions :182 LBS. (83 kg)

2.5 ACCESS RECOMMENDATIONS

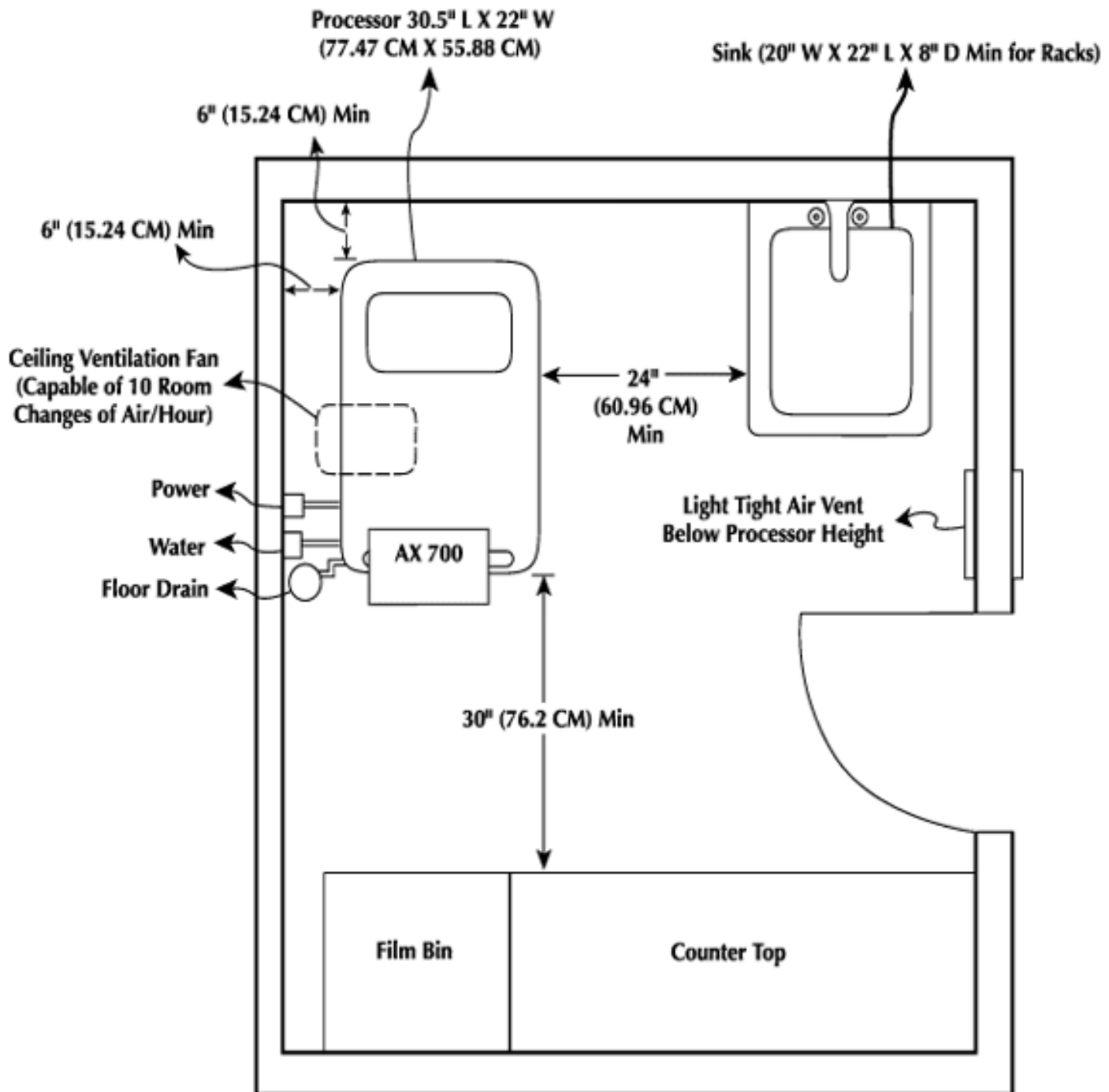
The processor should be installed in a location where proper servicing is achievable. Listed below are recommendations for proper clearance:

- Complete access to one side of the processor, preferably the "drive side".
Minimum clearance of 24 inches (61cm).
- Feed side: 30 inches (76cm).
- Top side: 15 inches (38cm).

[Typical Room Layout](#)

[Back To Specs](#)

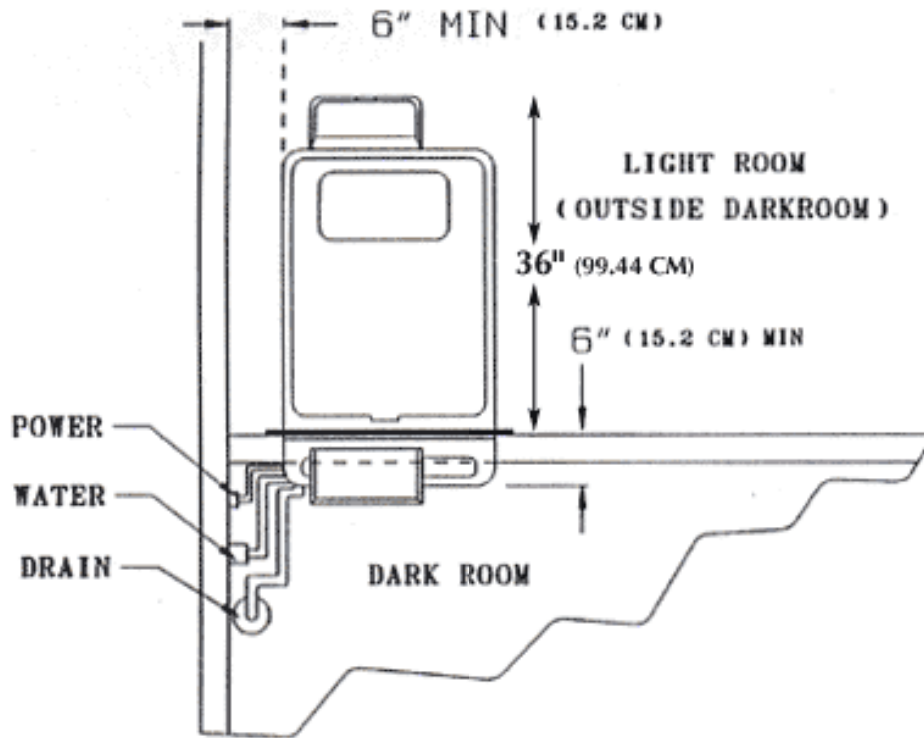
AX 700LE Typical Darkroom Layout



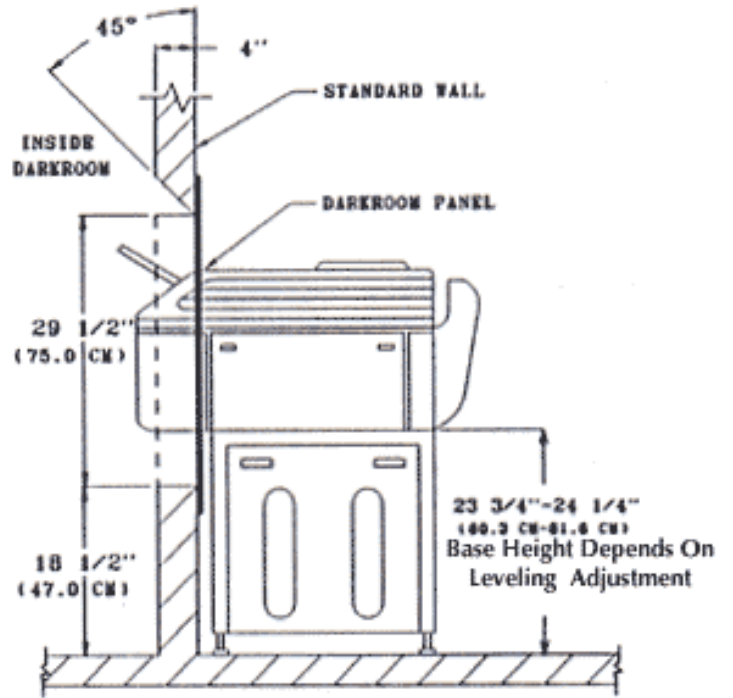
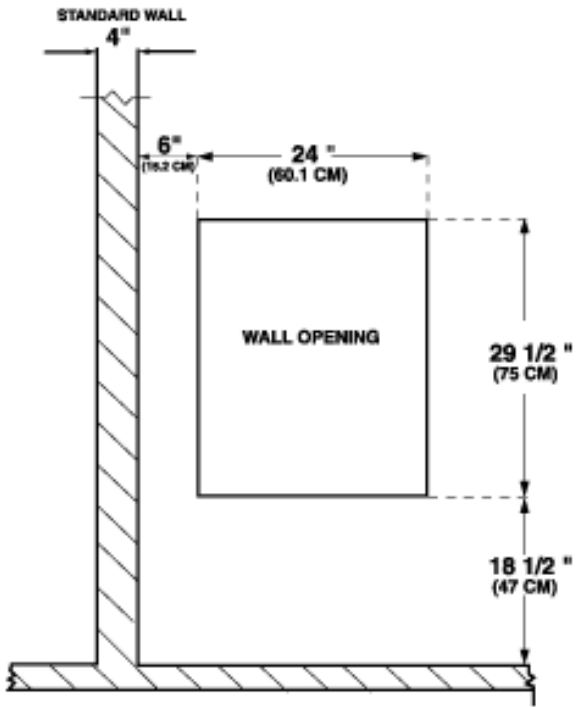
Through-the-Wall Layout

[Back to AX 700LE Specs](#)

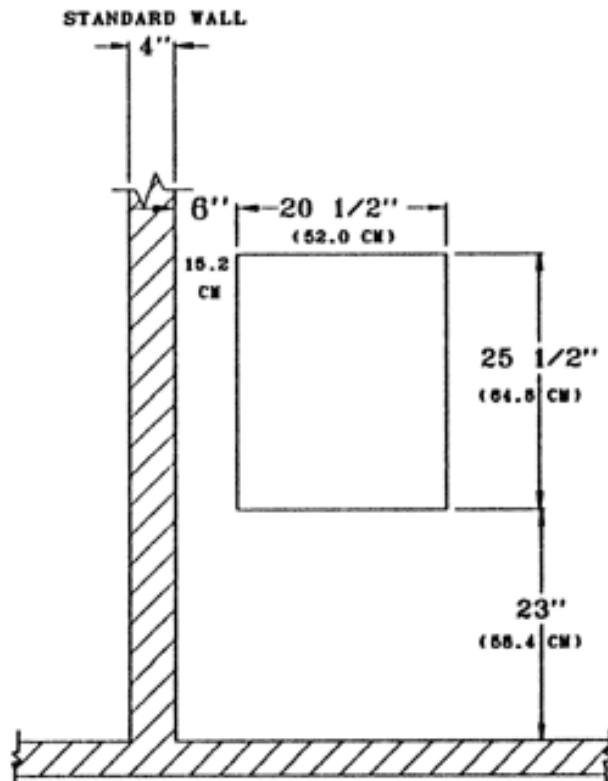
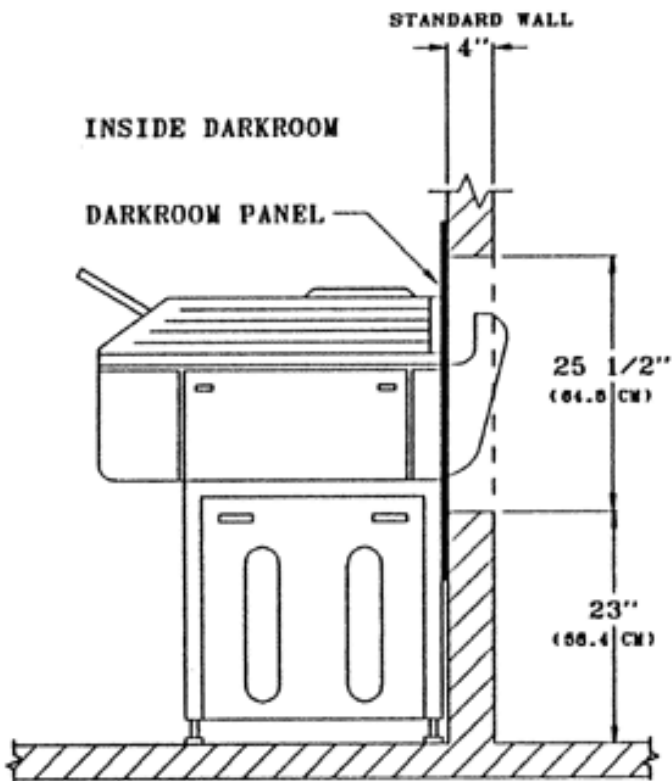
AX 700LE Through-the-Wall Site Layout



Film Entry Specifications



Film Exit Specifications

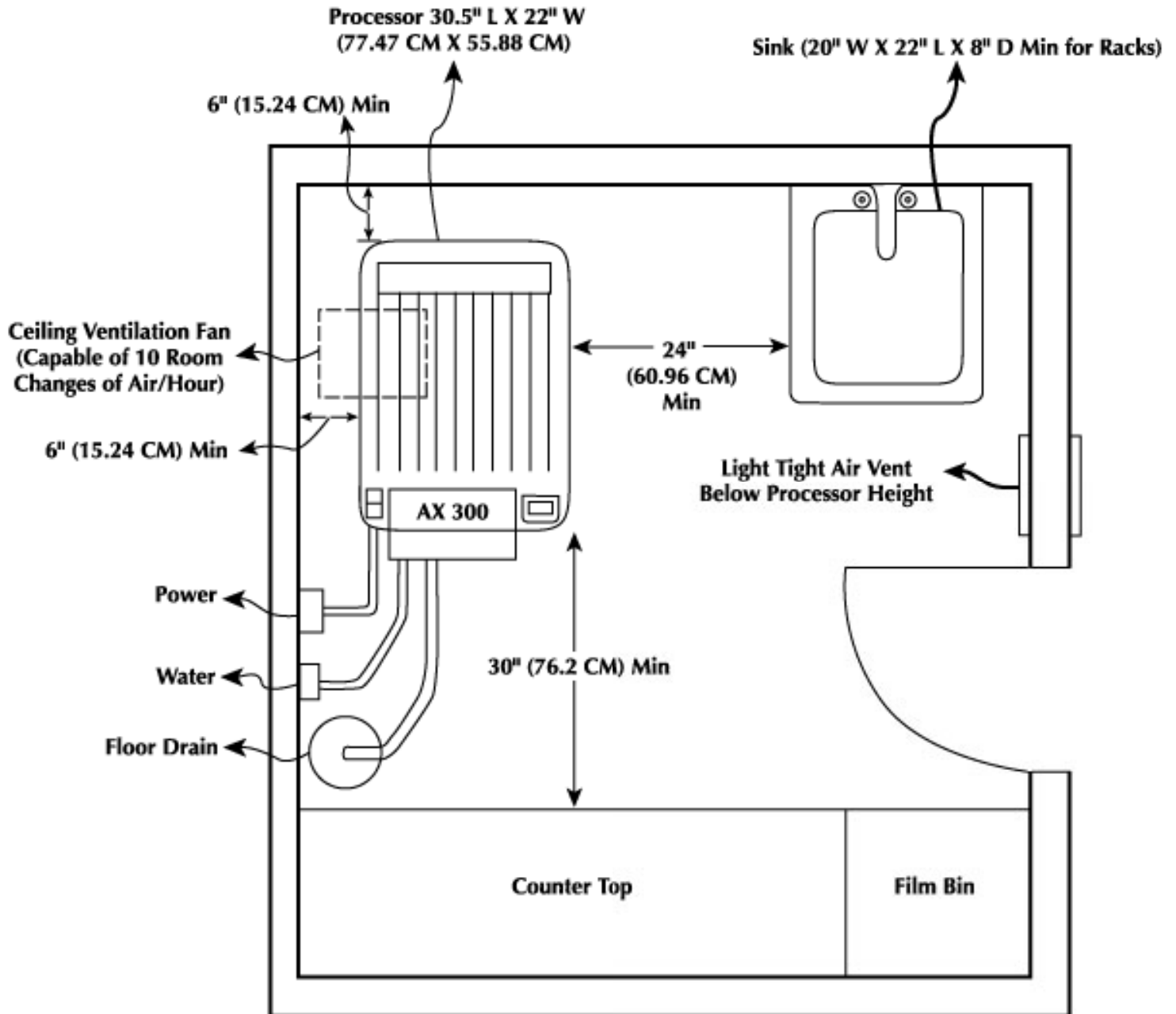


[AX 700LE Room Layout](#)

[Back to AX 700LE Site Specs](#)

[Back to AX 700LE Specs](#)

AX 300SE Series Typical Darkroom Layout



[Back to AX 300 Site Specs](#)

[Back to AX 300 Specs](#)